

**301-105ST
3 NAUTICAL MILES
135° STERN LIGHT
DOUBLE, HORIZONTALLY MOUNTED**

This LED navigation light consists of two individual lights, each with a single high-power LED that produces light in the specified angle utilizing special designed PMMA light guides. Each light can be activated separately.

The precision machined 6082 aluminium housing with an anodized surface makes the light a rugged and durable housing for the LEDs and electronics contained within.

The interior is completely filled with a special potting resin making it water- and vibration proof.

Produced in our in-house manufacturing facility to meet and exceed exacting standards such as EN14744 and UL1104, under a quality management system continuously surveyed by Lloyds Register Quality Assurance.

Each light is subjected to final testing for a minimum of 16 hours of continuous operation bringing the total test time beyond 24 hours.

This navigation light is in compliance with the following standards:

- COLREG72
- EN14744
- IEC 60945
- USCG (UL1104)

Together with an appropriate Control & Monitoring System, such as Lopolight's own NLC* this navigation light can form part of an IMO MSC 253(83), LY3 and LY4 compliant system.

*) information found here: www.lopolight.com/NlcPanel



Technical specifications

Vessel size: > 50m (>164')

Visibility: >3 nautical miles

Intensity: >15cd

Power consumption: 2,5 Watt; Current: 0,21A @ 12 VDC – 0,1A @ 24 VDC

Operating voltage: 10 - 32 VDC

Number of LEDs: 1/1

Light colour: **White**

Operating temperature: -25°C to +55°C

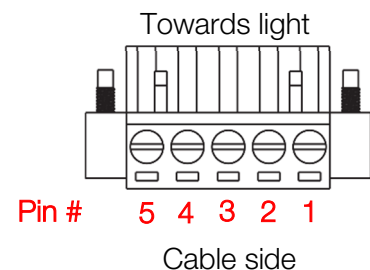
IP rating: **IP68**

Mounting: **Horizontal**, see K-Lock sheet for options

Connection: 4 M20x1.5 thread borings for cable glands located on the side and bottom (see drawing for details).

Cabling: 1 cable consisting of 2 x 0,5 mm² leads, a screen and insulation.

- Pin 1 - Red lead = Power
- Pin 2 - Black lead = GND
- Pin 3 – No lead = Not used
- Pin 4 – Red lead = Power
- Pin 5 - Black lead = GND



Certification: **Pending.**

The product is in compliance with the following standards:
COLREG72/ EN14744 / IEC 60945 / USCG (UL1104)

Dimensions: **See drawing**

Weight: **1,16kg**

Warranty:

Lopolight products are covered by a 5-year limited warranty.

Warranty conditions can be found on www.lopolight.com/Service

Included in the standard package:

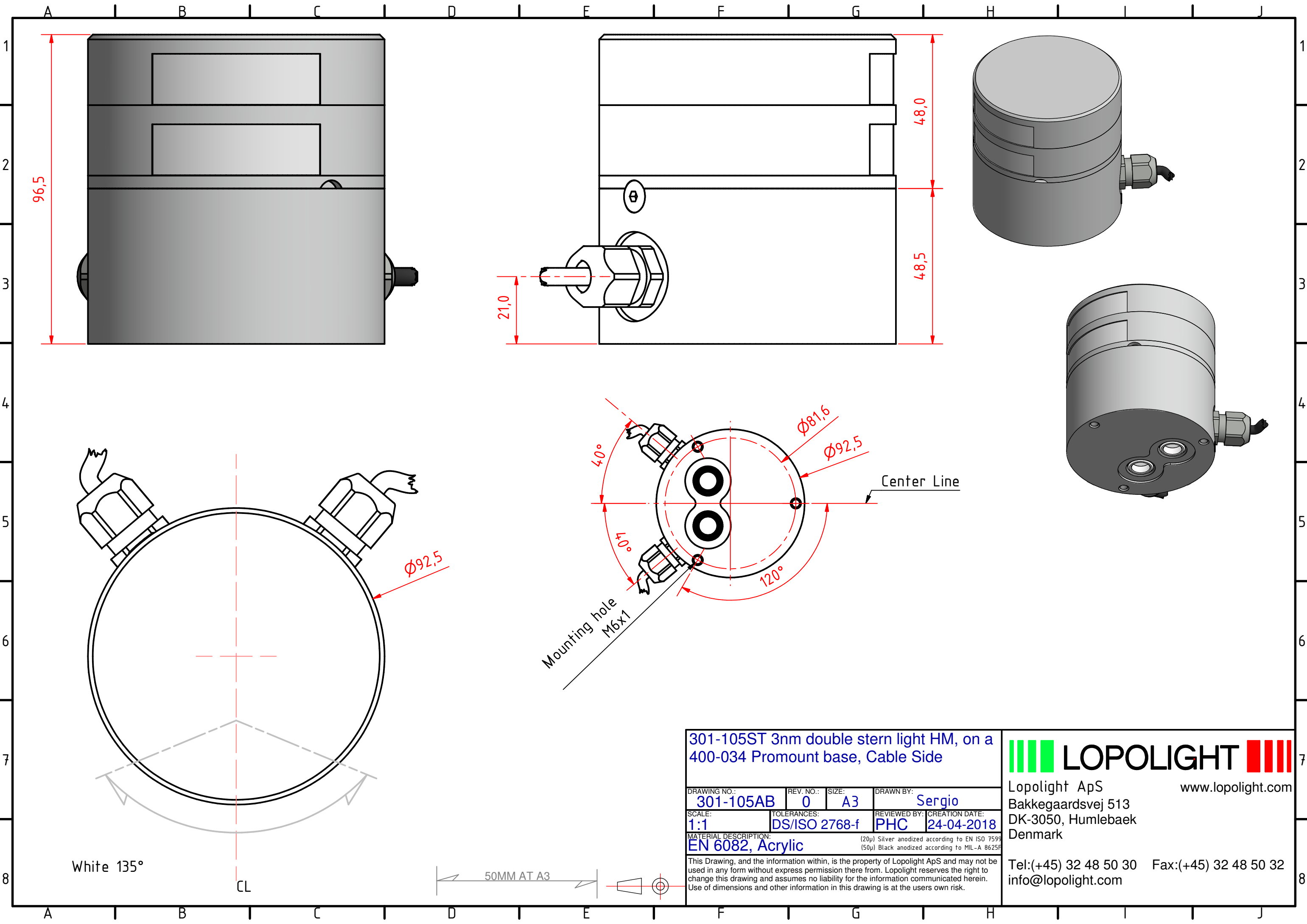
- 1 pcs. Double navigation light on 400-034 aluminium base
- 1 pcs. HDPE base plate
- 1 pcs. M20x1.5 cable gland (cable diameters 7 – 13mm)
- 3 pcs. M20x1.5 blinding caps
- 1 pcs. 5-pin connector plug
- Installation instructions

Ordering information

BASE OPTION	PART NUMBER SILVER FINISH	PART NUMBER BLACK FINISH
400-034 (drawing A - D) CSCD base (Standard)	301-105ST	301-105ST-B
400-035 (drawing E - F) CD base	301-105ST-CD	301-105ST-B-CD

Cabling options

Cable length	Part number
2m / 6.6' 2-lead cable with connector	400-300-2M
4m / 13.1' 2-lead cable with connector	400-300-4M
6m / 19.7' 2-lead cable with connector	400-300-6M
10m / 32.8' 2-lead cable with connector	400-300-10M
12m / 39.4' 2-lead cable with connector	400-300-12M
15m / 49.1' 2-lead cable with connector	400-300-15M
20m / 65.6' 2-lead cable with connector	400-300-20M



301-105ST 3nm double stern light HM, on a 400-034 Promount base, Cable Side

DRAWING NO.:	REV. NO.:	SIZE:	DRAWN BY:
301-105AB	0	A3	Sergio
SCALE:	TOLERANCES:	REVIEWED BY:	CREATION DATE:
1:1	DS/ISO 2768-f	PHC	24-04-2018

MATERIAL DESCRIPTION:
 EN 6082, Acrylic (20µ) Silver anodized according to EN ISO 7599
 (50µ) Black anodized according to MIL-A 8625F

This Drawing, and the information within, is the property of Lopolight ApS and may not be used in any form without express permission there from. Lopolight reserves the right to change this drawing and assumes no liability for the information communicated herein. Use of dimensions and other information in this drawing is at the users own risk.



Lopolight ApS
 Bakkegaardsvej 513
 DK-3050, Humlebaek
 Denmark

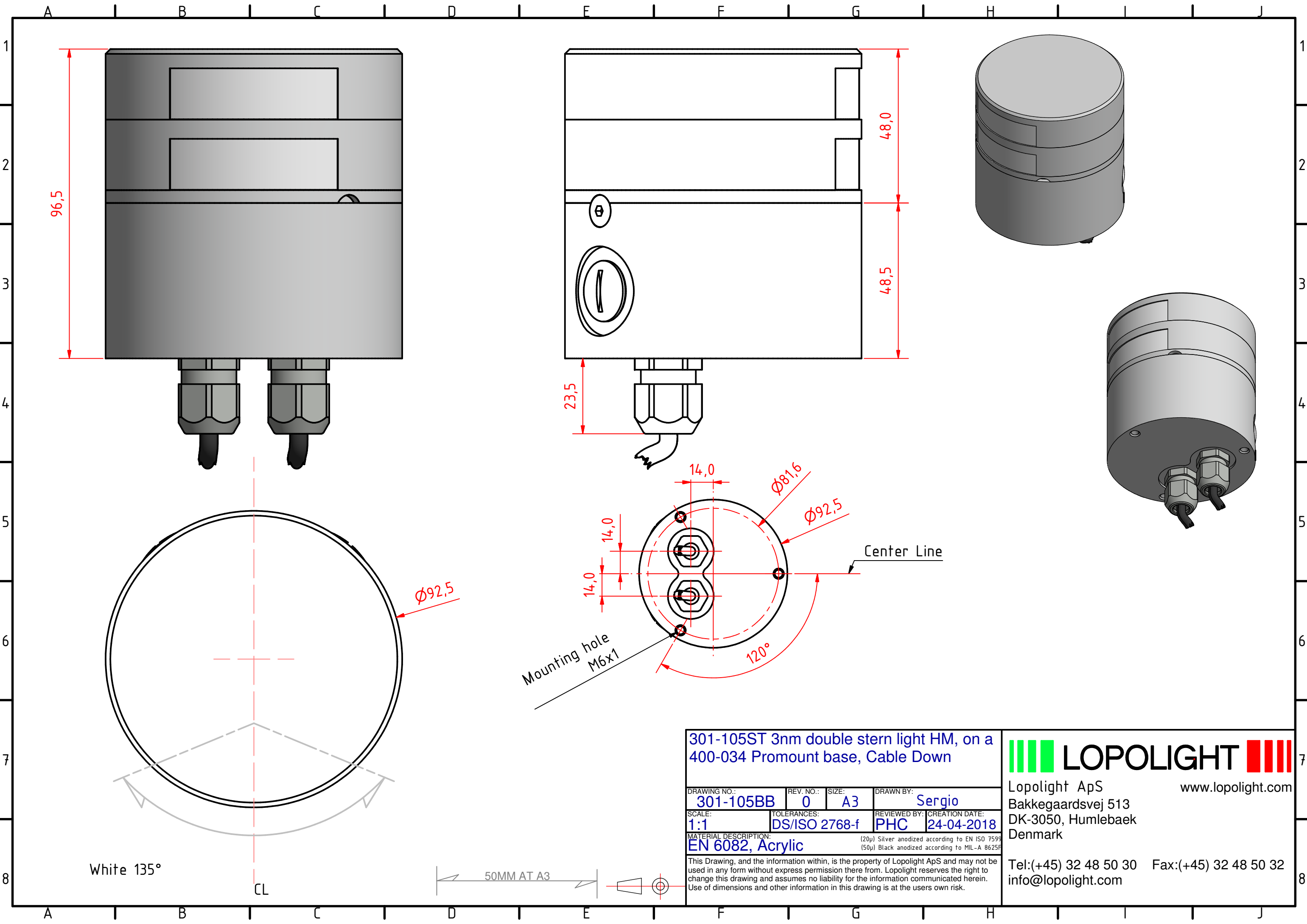
Tel:(+45) 32 48 50 30 Fax:(+45) 32 48 50 32
 info@lopolight.com

www.lopolight.com

White 135°

CL

50MM AT A3



White 135°

CL

50MM AT A3

301-105ST 3nm double stern light HM, on a 400-034 Promount base, Cable Down

DRAWING NO.:	REV. NO.:	SIZE:	DRAWN BY:
301-105BB	0	A3	Sergio
SCALE:	TOLERANCES:	REVIEWED BY:	CREATION DATE:
1:1	DS/ISO 2768-f	PHC	24-04-2018

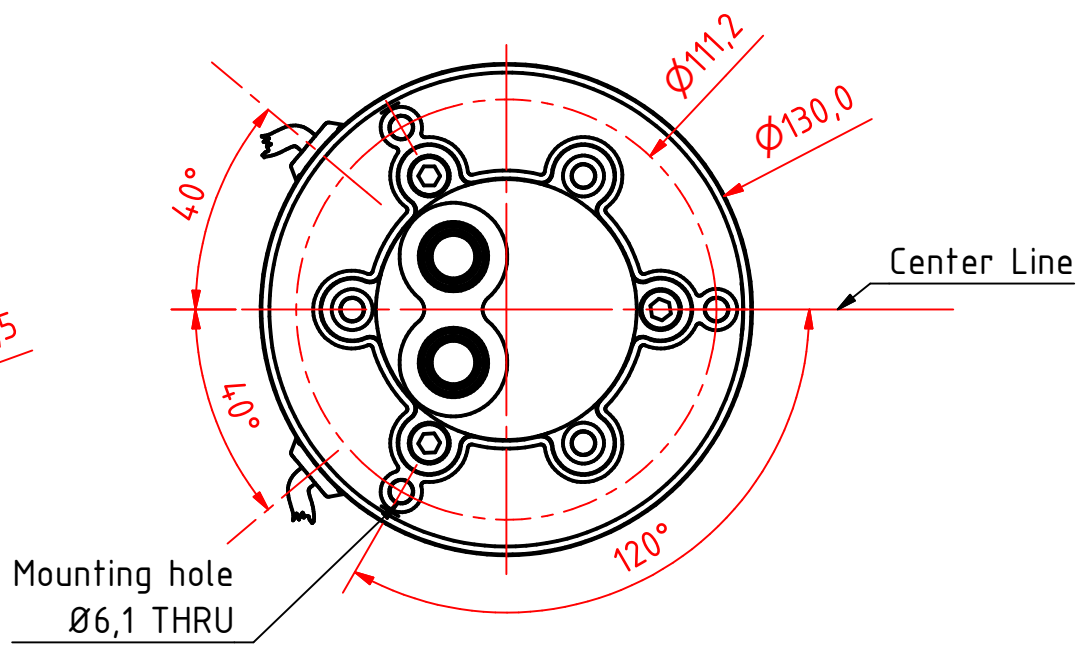
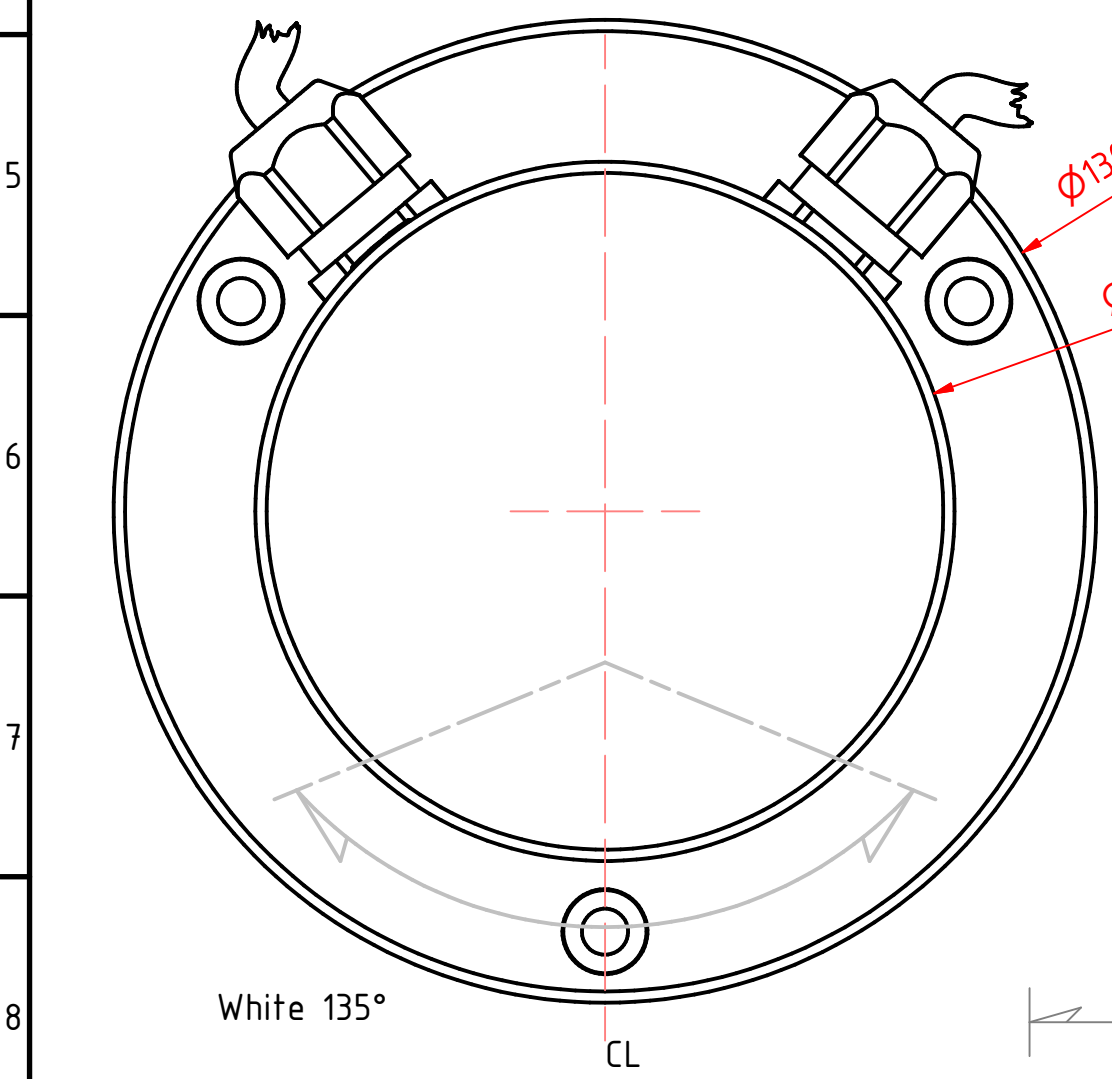
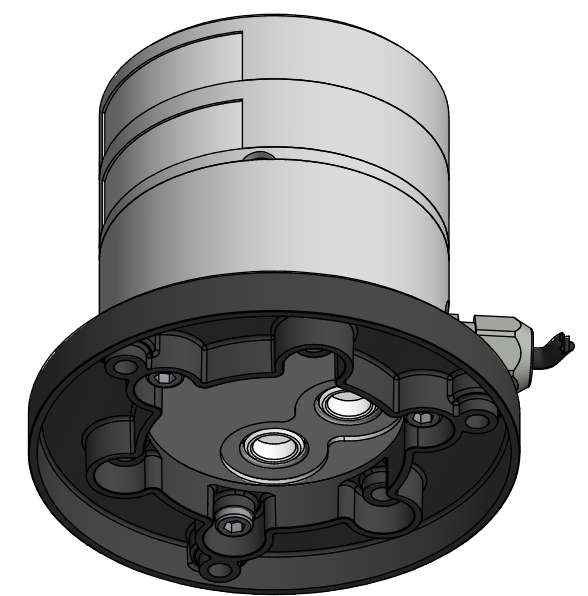
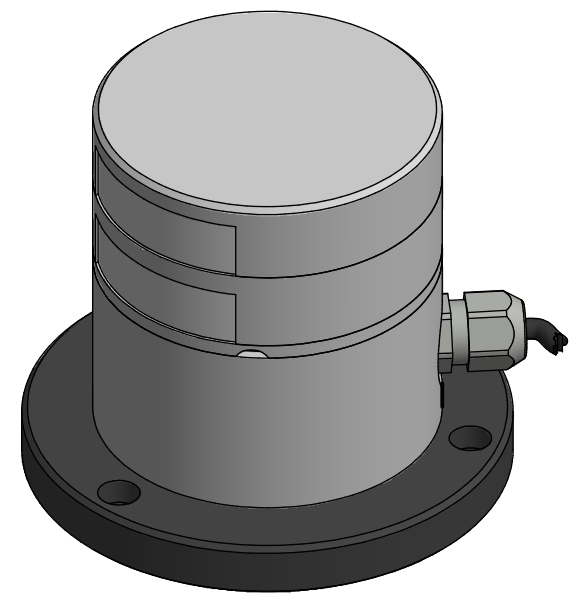
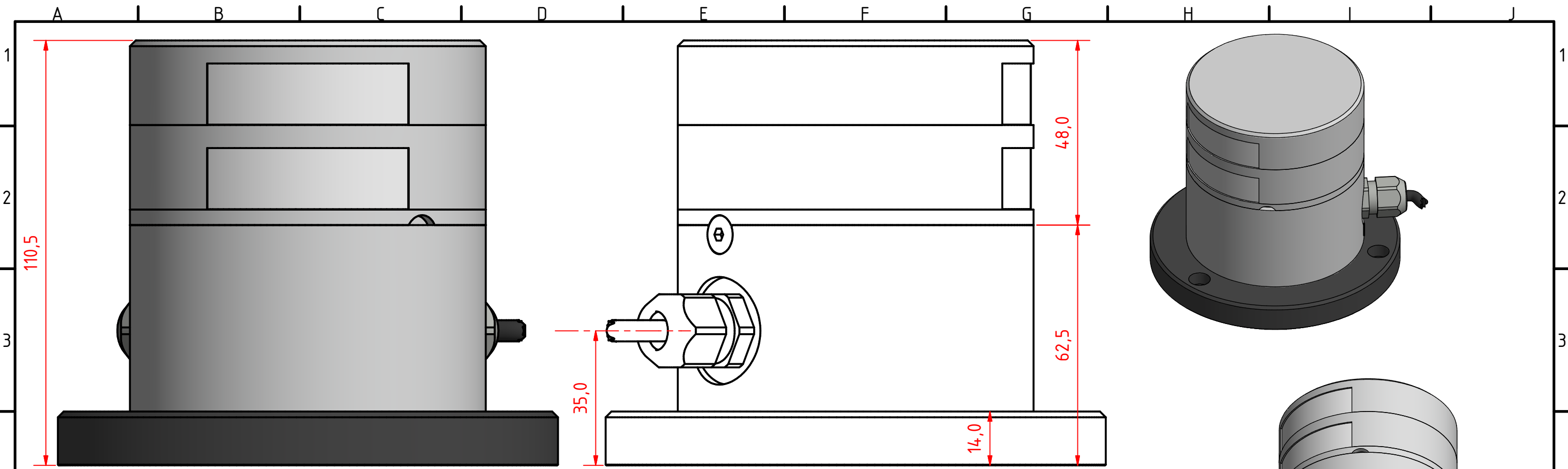
MATERIAL DESCRIPTION:
 EN 6082, Acrylic (20µ) Silver anodized according to EN ISO 7599
 (50µ) Black anodized according to MIL-A 8625F

This Drawing, and the information within, is the property of Lopolight ApS and may not be used in any form without express permission there from. Lopolight reserves the right to change this drawing and assumes no liability for the information communicated herein. Use of dimensions and other information in this drawing is at the users own risk.



Lopolight ApS
 Bakkegaardsvej 513
 DK-3050, Humlebaek
 Denmark

Tel:(+45) 32 48 50 30 Fax:(+45) 32 48 50 32
 info@lopolight.com www.lopolight.com



301-105ST 3nm double stern light HM, on a 400-034 Promount base and 400-404 PE base plate, Cable Side

DRAWING NO.: 301-105CB	REV. NO.: 0	SIZE: A3	DRAWN BY: Sergio
SCALE: 1:1	TOLERANCES: DS/ISO 2768-f	REVIEWED BY: PHC	CREATION DATE: 24-04-2018
MATERIAL DESCRIPTION: EN 6082, Acrylic, PE			

(20µ) Silver anodized according to EN ISO 7599
(50µ) Black anodized according to MIL-A 8625F

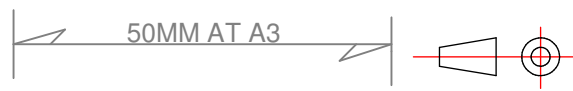
This Drawing, and the information within, is the property of Lopolight ApS and may not be used in any form without express permission there from. Lopolight reserves the right to change this drawing and assumes no liability for the information communicated herein. Use of dimensions and other information in this drawing is at the users own risk.

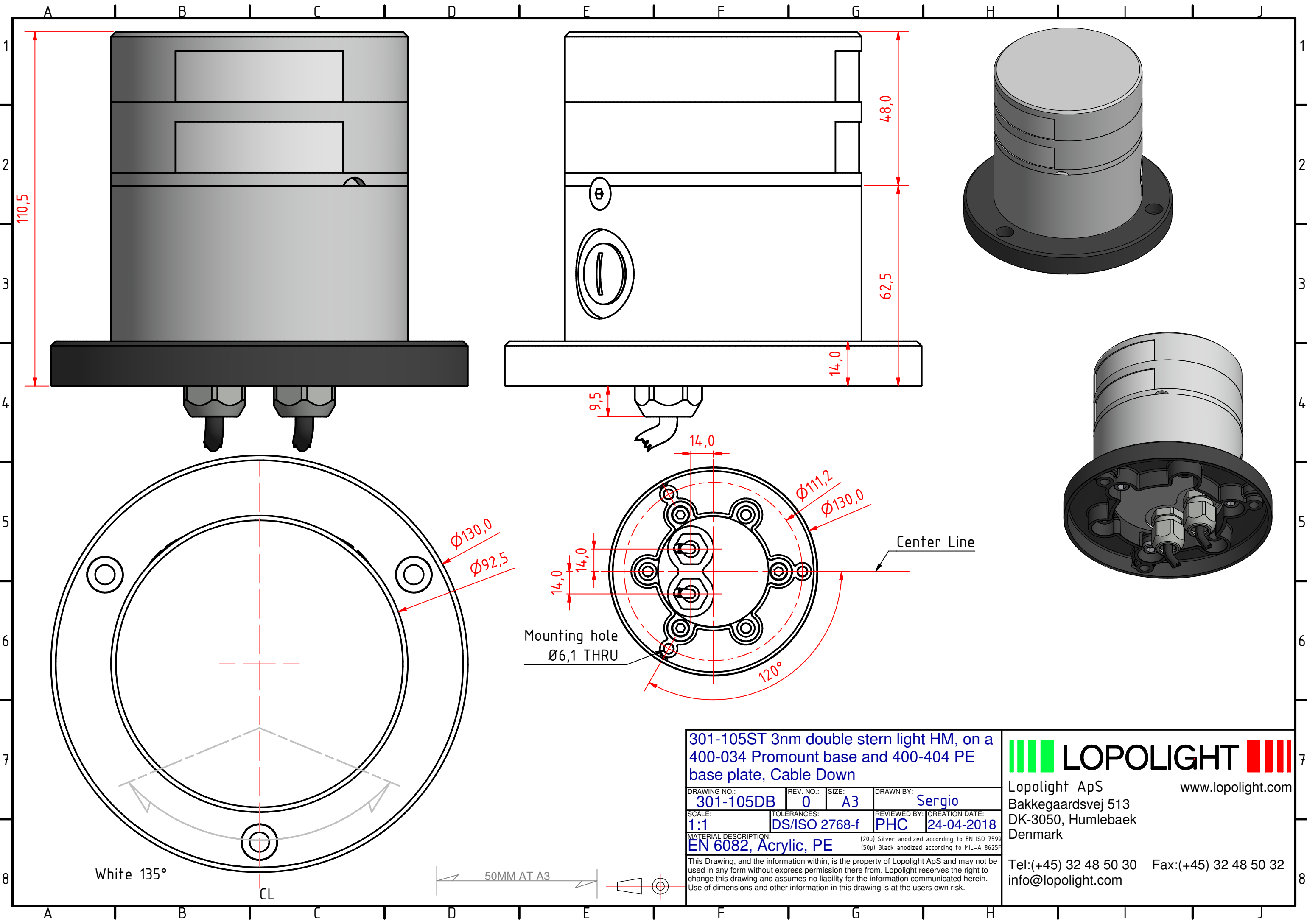
LOPOLIGHT

Lopolight ApS
 Bakkegaardsvej 513
 DK-3050, Humlebaek
 Denmark

www.lopolight.com

Tel: (+45) 32 48 50 30 Fax: (+45) 32 48 50 32
 info@lopolight.com





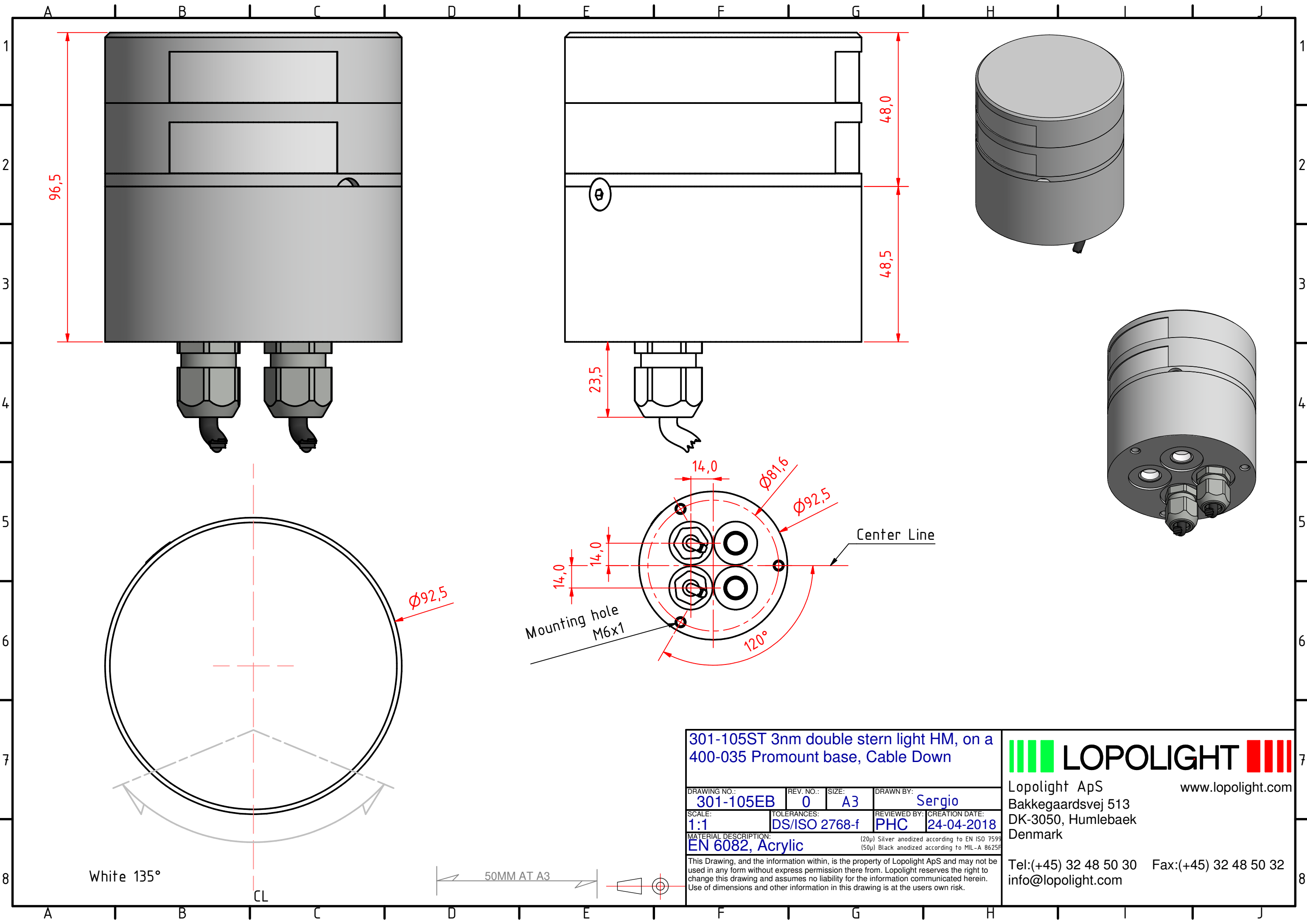
301-105ST 3nm double stern light HM, on a 400-034 Promount base and 400-404 PE base plate, Cable Down

DRAWING NO.:	REV. NO.:	SIZE:	DRAWN BY:
301-105DB	0	A3	Sergio
SCALE:	TOLERANCES:	REVIEWED BY:	CREATION DATE:
1:1	DS/ISO 2768-f	PHC	24-04-2018

MATERIAL DESCRIPTION:
EN 6082, Acrylic, PE (20µ) Silver anodized according to EN ISO 7599
 (50µ) Black anodized according to MIL-A 8625F

This Drawing, and the information within, is the property of Lopolight ApS and may not be used in any form without express permission there from. Lopolight reserves the right to change this drawing and assumes no liability for the information communicated herein. Use of dimensions and other information in this drawing is at the users own risk.

LOPOLIGHT
 Lopolight ApS
 Bakkegaardsvej 513
 DK-3050, Humlebaek
 Denmark
 Tel:(+45) 32 48 50 30 Fax:(+45) 32 48 50 32
 info@lopolight.com
 www.lopolight.com



White 135°

50MM AT A3

301-105ST 3nm double stern light HM, on a 400-035 Promount base, Cable Down

DRAWING NO.: 301-105EB	REV. NO.: 0	SIZE: A3	DRAWN BY: Sergio
SCALE: 1:1	TOLERANCES: DS/ISO 2768-f	REVIEWED BY: PHC	CREATION DATE: 24-04-2018

MATERIAL DESCRIPTION:
EN 6082, Acrylic

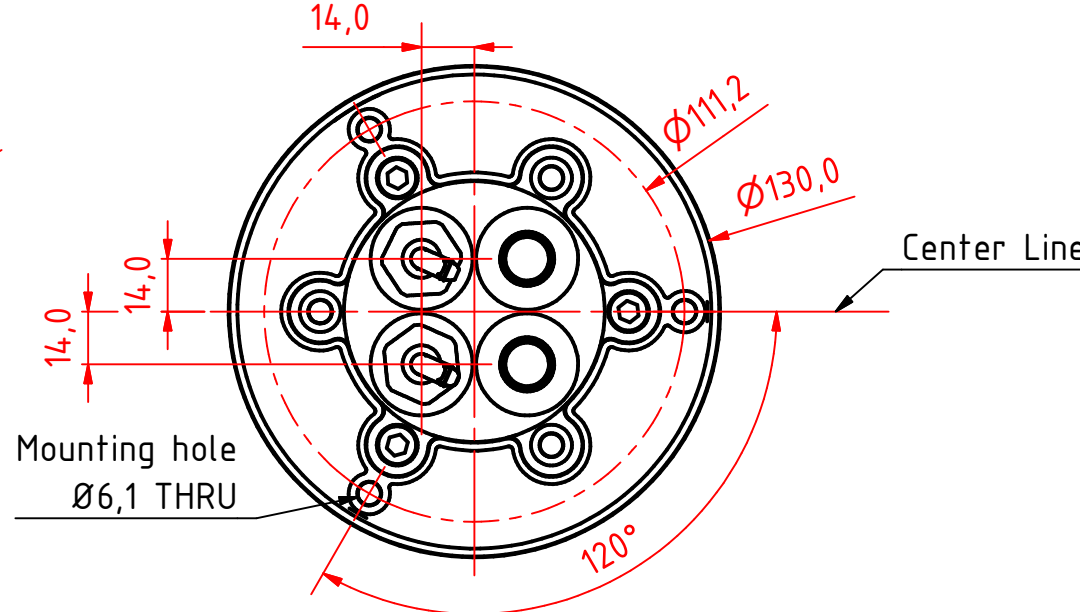
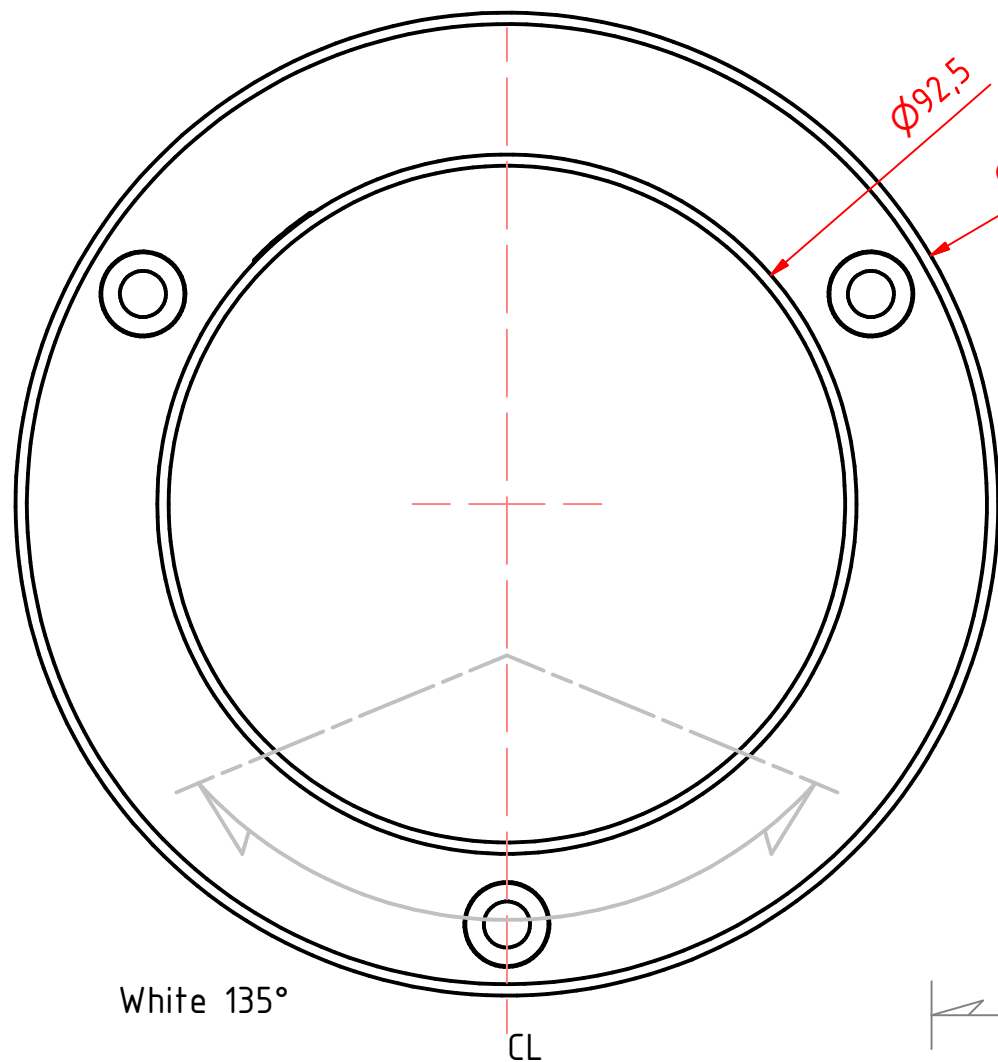
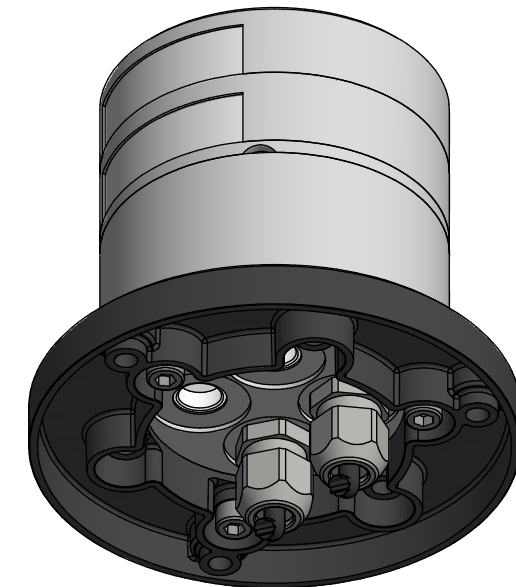
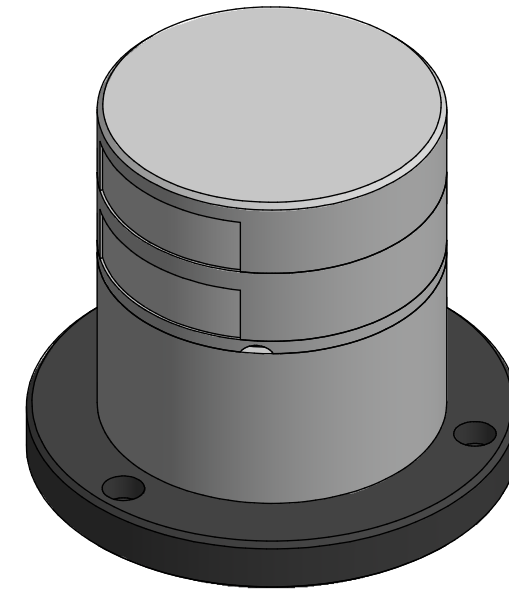
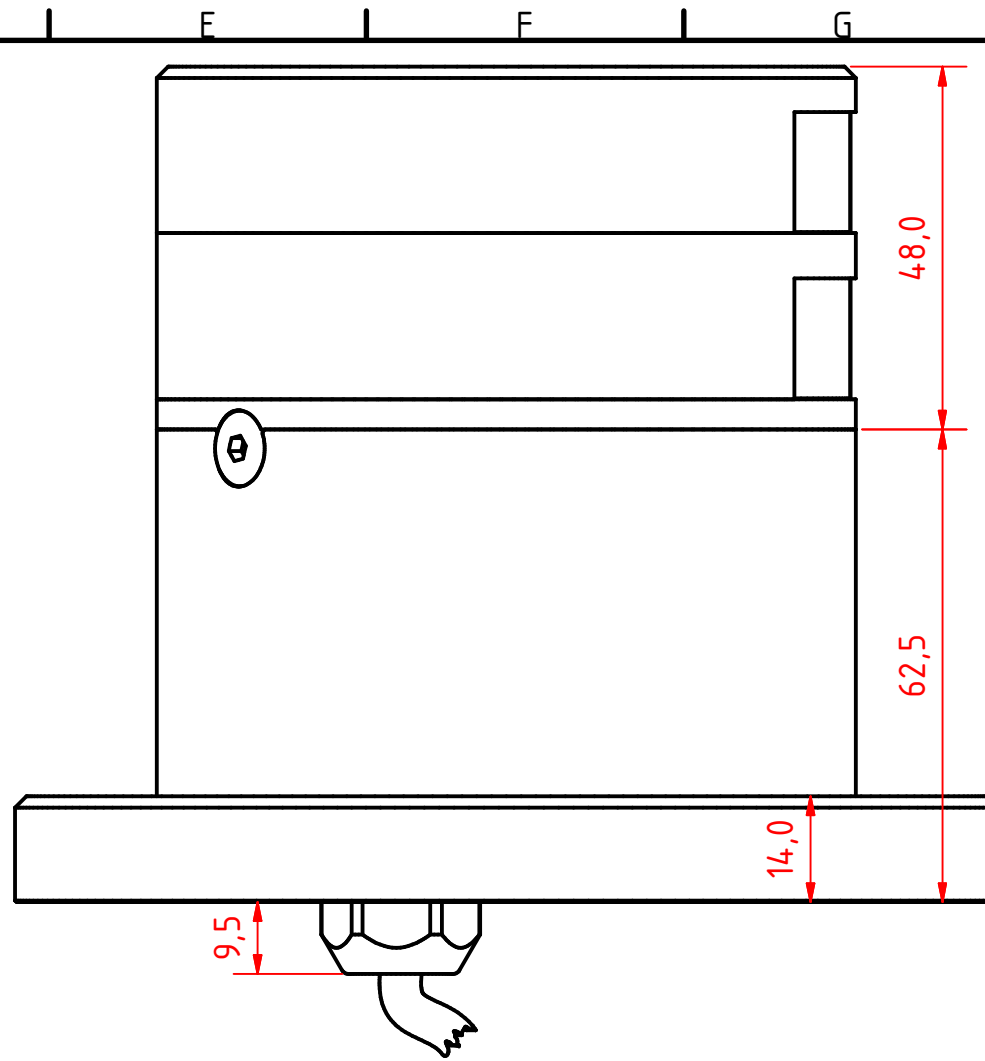
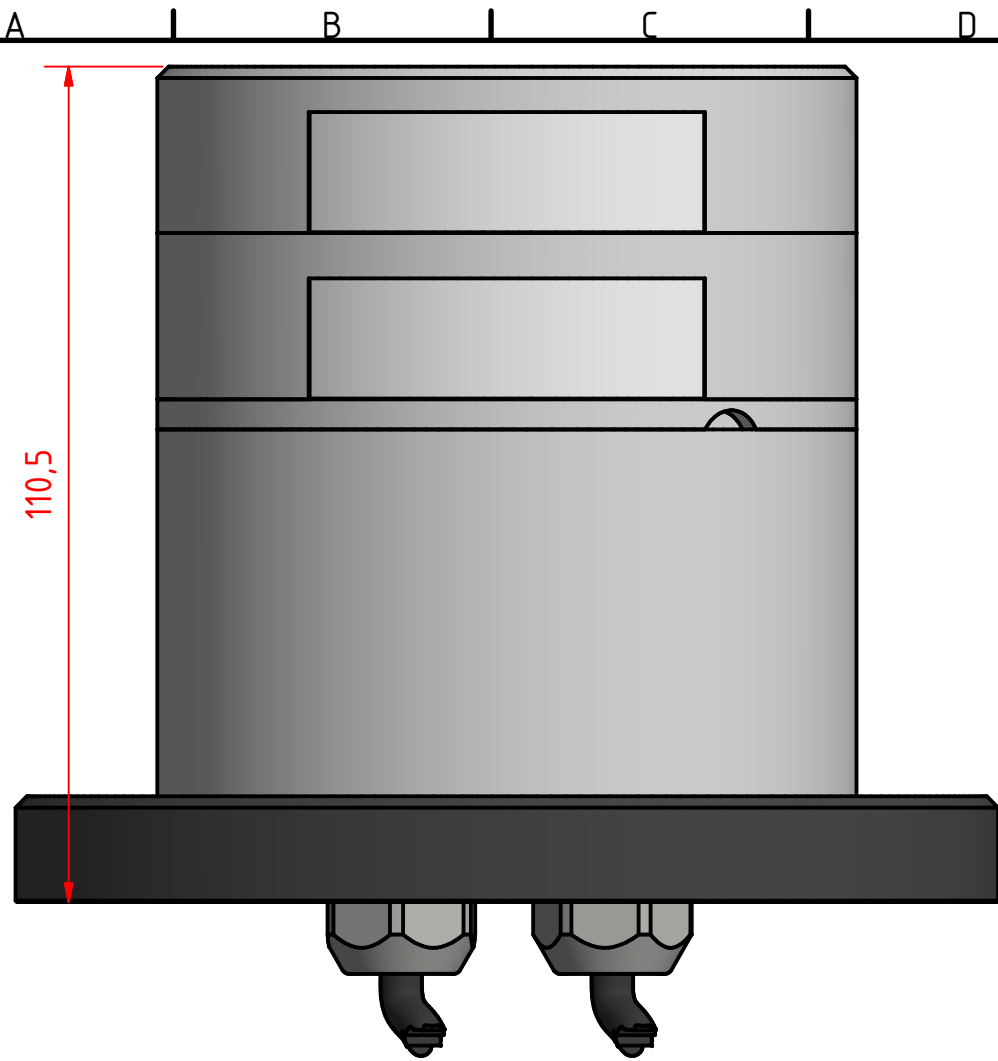
(20µ) Silver anodized according to EN ISO 7599
(50µ) Black anodized according to MIL-A 8625F
This Drawing, and the information within, is the property of Lopolight ApS and may not be used in any form without express permission there from. Lopolight reserves the right to change this drawing and assumes no liability for the information communicated herein. Use of dimensions and other information in this drawing is at the users own risk.



Lopolight ApS
Bakkegaardsvej 513
DK-3050, Humlebaek
Denmark

Tel:(+45) 32 48 50 30 Fax:(+45) 32 48 50 32
info@lopolight.com

www.lopolight.com



301-105ST 3nm double stern light HM, on a 400-035 Promount base and 400-404 base plate, Cable Down

DRAWING NO.: 301-105FB REV. NO.: 0 SIZE: A3 DRAWN BY: Sergio

SCALE: 1:1 TOLERANCES: DS/ISO 2768-f REVIEWED BY: PHC CREATION DATE: 24-04-2018

MATERIAL DESCRIPTION: EN 6082, Acrylic, PE (20µ) Silver anodized according to EN ISO 7599 (50µ) Black anodized according to MIL-A 8625F

This Drawing, and the information within, is the property of Lopolight ApS and may not be used in any form without express permission there from. Lopolight reserves the right to change this drawing and assumes no liability for the information communicated herein. Use of dimensions and other information in this drawing is at the users own risk.



Lopolight ApS
Bakkegaardsvej 513
DK-3050, Humlebaek
Denmark

Tel:(+45) 32 48 50 30 Fax:(+45) 32 48 50 32
info@lopolight.com www.lopolight.com

